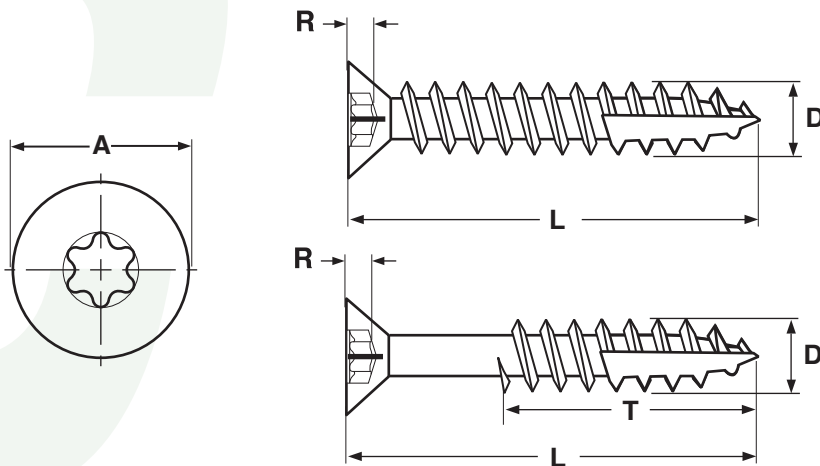


WOOD SCREWS

Flat Head w/
Six-Lobe Recess

TY-17 EXTERIOR/DEEP THREAD—STEEL



FLAT SIX-LOBE RECESS EXTERIOR SCREW WITH TYPE-17 POINT—STEEL

| Nominal Diameter | A | | R | D | | T | | Recess Size |
|---------------------|-------------------|-------|--------------|----------------|-------|-----------------|------------|-------------|
| | Head Diameter | | Recess Depth | Major Diameter | | Threaded Length | | |
| | Max | Min | Min | Max | Min | L ≤ 1" | L > 1" | |
| 6 | 0.262 | 0.232 | 0.035 | 0.142 | 0.131 | Full thread | 2/3 thread | T-10 |
| 8 | 0.332 | 0.285 | 0.039 | 0.175 | 0.159 | Full thread | 2/3 thread | T-15 |
| 9 | 0.354 | 0.316 | 0.051 | 0.193 | 0.183 | Full thread | 2/3 thread | T-20 |
| 10 | 0.385 | 0.333 | 0.050 | 0.209 | 0.185 | Full thread | 2/3 thread | T-20 |
| Tolerance on Length | Up to 5/8" | | | | ±0.03 | | | |
| | Over 5/8 to 1.5" | | | | ±0.05 | | | |
| | Over 1.5 to 2.75" | | | | ±0.06 | | | |
| | Over 2.75 to 5" | | | | ±0.09 | | | |

| | |
|----------------------------------|---|
| Description | An externally threaded fastener with a countersunk head, six-lobed recess, a single lead thread. The shank has a reduced diameter and a chip cavity cut out where the final several threads end at the tip. |
| Applications / Advantages | The deeper thread design offers greater resistance to pull-out forces. The six-lobe recess transmits drive torque with less required downward pressure. |
| Material | C1022 case-hardened steel |
| Surface Hardness | Rockwell C 45 minimum |
| Case Depth | 0.004" - 0.009" |
| Torque | #6 Diameter: 21 kg/cm min.; #8 Diameter: 35 kg/cm min.; #9 Diameter: 50 kg/cm min.; #10 Diameter: 50 kg/cm min. |
| Plating | See Appendix-A for plating information |