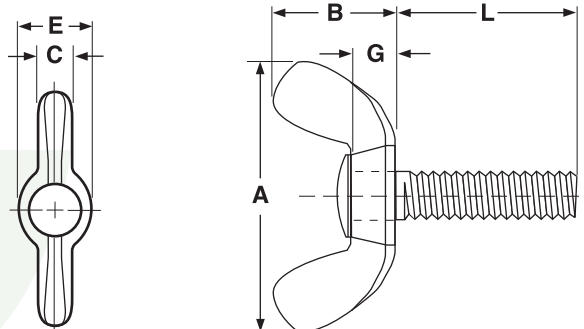


THUMB & WING SCREWS

WING SCREWS

Type A



COLD-FORMED WING SCREWS, TYPE A

ASME
B18.6.8-
2010

Nominal Size	Threads per Inch	A		B		C		E		G	
		Wing Spread		Wing Height		Wing Thickness		Boss Diameter		Boss Height	
		Max	Min	Max	Min	Max	Min	Max	Min	Max	Min
8	32	0.91	0.78	0.47	0.34	0.14	0.10	0.43	0.39	0.18	0.14
10	24 & 32	0.91	0.78	0.47	0.34	0.14	0.10	0.43	0.39	0.18	0.14
1/4	20	1.10	0.97	0.57	0.43	0.18	0.14	0.50	0.45	0.22	0.17
5/16	18	1.25	1.12	0.66	0.53	0.21	0.17	0.58	0.51	0.25	0.20
3/8	16	1.44	1.31	0.79	0.65	0.24	0.20	0.70	0.64	0.30	0.26
Tolerance on Length		Nominal Screw Lengths									
		Up to 1 inch, incl.				over 1 inch to 2 inch, incl.				over 2 inch	
		± 0.03				± 0.06				± 0.09	

Description	A screw having a wing-shaped head designed for manual turning without a driver or wrench. The type-A style is manufactured in two pieces with the cold-formed, winged head portion installed permanently to the shank.
Applications/Advantages	For use in applications where the fastener is frequently adjusted and where tightening torque greater than that achieved with finger pressure is not required. Greater torque can be applied manually turning a wing screw than a thumb screw because of the wider head. The case-hardened shank of the Type-A wing screw gives the threads greater resistance to abrasion than other low carbon wing screws.
Material	Carbon steel (the shank is case-hardened)
Plating	See Appendix-A for plating information.