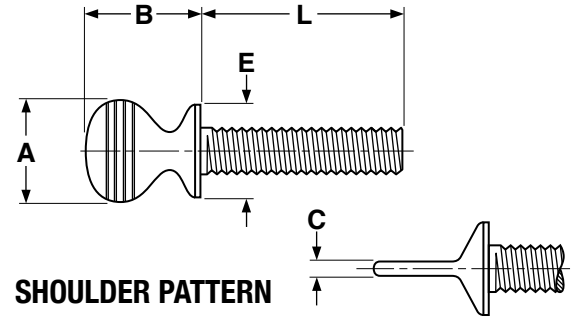
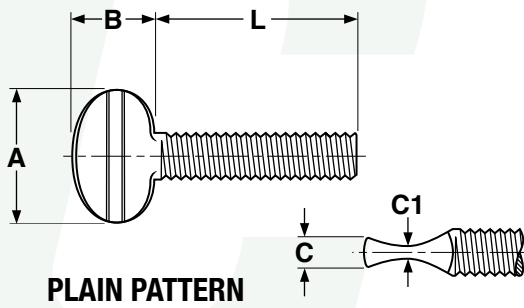


Plain & Shoulder Pattern Thumb Screws Thumb & Wing Screws



| Nominal Size or Basic Screw Diameter | | Threads per Inch | A | B | C | C1 | L | |
|--------------------------------------|-------|------------------|------------|-------------|----------------|------------------------------|-------------------------|------|
| | | | Head Width | Head Height | Head Thickness | Head Thickness (mid-section) | Practical Screw Lengths | |
| | | | Ref | Ref | Ref | Ref | Max | Min |
| 6 | 0.138 | 32 | 0.41 | 0.29 | 0.08 | 0.03 | 1.00 | 0.25 |
| 8 | 0.164 | 32 | 0.44 | 0.30 | 0.10 | 0.05 | 1.00 | 0.38 |
| 10 | 0.190 | 24 | 0.55 | 0.43 | 0.12 | 0.06 | 2.00 | 0.38 |
| 12 | 0.216 | 24 | 0.47 | 0.53 | 0.13 | 0.06 | 2.00 | 0.38 |
| 1/4 | 0.250 | 20 | 0.81 | 0.55 | 0.16 | 0.07 | 2.50 | 0.50 |
| 5/16 | 0.312 | 18 | 0.87 | 0.67 | 0.19 | 0.09 | 3.00 | 0.50 |
| 3/8 | 0.375 | 16 | 1.02 | 0.75 | 0.24 | 0.11 | 3.00 | 0.75 |
| 1/2 | 0.500 | 13 | 1.75 | 1.22 | 0.39 | 0.13 | 3.00 | 1.00 |

| Nominal Size or Basic Screw Diameter | | Threads per Inch | A | B | C | E | L | |
|--------------------------------------|-------|------------------|------------|-------------|----------------|-------------------|-------------------------|------|
| | | | Head Width | Head Height | Head Thickness | Shoulder Diameter | Practical Screw Lengths | |
| | | | Ref | Ref | Ref | Ref | Max | Min |
| 6 | 0.138 | 32 | 0.28 | 0.30 | 0.05 | 0.24 | 0.75 | 0.25 |
| 8 | 0.164 | 32 | 0.33 | 0.39 | 0.05 | 0.27 | 0.75 | 0.38 |
| 10 | 0.190 | 24 & 32 | 0.39 | 0.49 | 0.07 | 0.33 | 1.00 | 0.38 |
| 12 | 0.216 | 24 | 0.47 | 0.53 | 0.13 | 0.39 | 2.00 | 0.38 |
| 1/4 | 0.250 | 20 | 0.48 | 0.57 | 0.10 | 0.43 | 1.50 | 0.50 |
| 5/16 | 0.312 | 18 | 0.57 | 0.73 | 0.13 | 0.57 | 1.50 | 0.50 |
| 3/8 | 0.375 | 16 | 0.71 | 0.88 | 0.21 | 0.71 | 2.00 | 0.75 |
| 1/2 | 0.500 | 13 | 0.90 | 1.18 | 0.13 | 0.84 | 3.00 | 1.00 |

Due to the variation in head dimensions from different manufacturers, thumb screws may not always conform to the listed specifications.

| Tolerance on Length | Nominal Screw Length | | |
|---------------------|----------------------|------------------------|------------|
| | Up to 1 in., Incl. | Over 1 to 2 in., Incl. | Over 2 in. |
| | ±0.03 | ±0.06 | ±0.09 |

| | | |
|---------------------------------|--|---|
| Description | A cold headed, one-piece screw with rolled threads and a flattened head designed for manual turning without a driver or wrench. They are available in two varieties--with and without a shoulder under the head. The shoulder flares to a circular shape of a diameter slightly less than the head diameter of the screw. | |
| Applications/ Advantages | For use in applications where the fastener is frequently adjusted and where tightening torque greater than that achieved with finger pressure is not required. A shoulder-pattern allows the head of the screw to seat flush against the mating surface and helps avoid over-tightening of the fastener which could result in stripped mating threads. | |
| Material | <i>Steel</i> Commercial quality carbon steel. | <i>Stainless</i> 18-8 Stainless |
| Tensile Strength | 48,000 psi. minimum | - |
| Plating | See Appendix-A for plating information. | Stainless thumb screws are typically supplied without secondary finishes. |