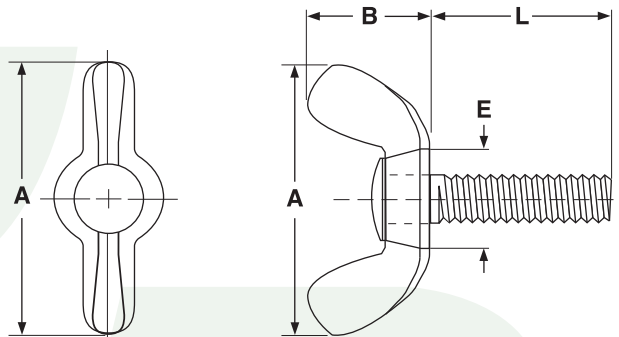


METRIC FASTENERS

Light Series,
American Type

WING / THUMB SCREWS



METRIC - LIGHT SERIES, AMERICAN-TYPE WING SCREWS

Nominal Diameter	Thread Pitch	A	B	E
		Wing Span	Wing Height	Boss Diameter
		Max	Max	Max
M5	0.8	26	13	11
M6	1.0	33	17	13
M8	1.25	39	20	16

Description	A screw having a wing-shaped head designed for manual turning without a driver or wrench. The American-type style is usually made from two pieces with the cold-formed, winged head portion installed permanently in the shank.
Applications / Advantages	For use in applications where the fastener is frequently adjusted and where tightening torque greater than that achieved with finger pressure is not required. Greater torque can be applied manually turning a wing screw than a thumb screw because of the wider head.
Material	A2 stainless steel
Plating	Screws are typically available without additional finish.