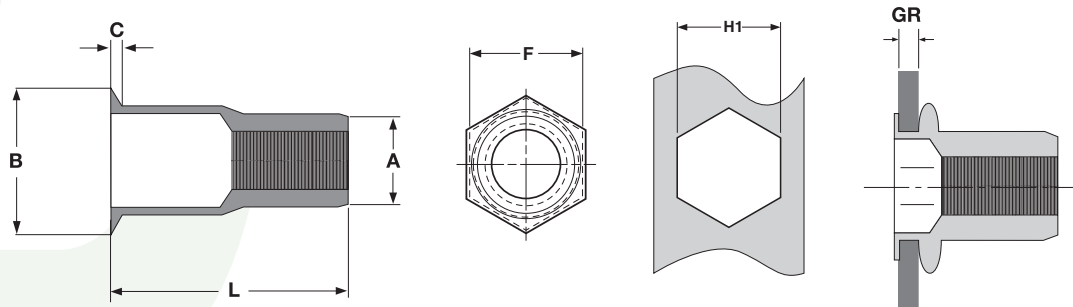


METRIC FASTENERS

Thin Head
Hex Body

RIVET NUTS (Blind Threaded Inserts)



THIN HEAD, HEX BODY BLIND THREADED INSERT

Thread Size	GR	L		A		B	C	Hex Hole Size	
	Grip Range	Body Length		Body Diameter		Head Diameter Across the Flats	Head Height	Max	Min
		Max	Min	Max	Min	Max	Nom	Max	Min
M4 x 0.7 ISO	2.0 - 3.3	11.55	10.55	6.43	6.27	9.53	0.68	6.45	6.35
M6 x 1.0 ISO	0.7 - 4.2	15.36	14.36	9.58	9.42	12.96	0.76	9.63	9.53

Description	An internally threaded fastener with a low-profile round flange at the part's "head", a hex-shaped body immediately below the head, and a cylindrical body that tapers slightly towards the opposite end. The head has a thinner profile and smaller diameter than the large flange variety. The fastener is open at both ends. Insert is threaded onto mandrel of installation tool and positioned into hole. As mandrel is pulled back, the insert is expanded into the base material it is now gripping. Installation is complete when the mandrel of the tool is removed from the set insert.
Applications / Advantages	When installed into a proper-size hex hole, this insert provides superior resistance to spinning. The thin head design enables the fastener to have a flush fit once seated in place. Used in electrical engineering, automotive, home appliances and other light-duty applications.
Material	Steel: 1108 or 1110 Steel