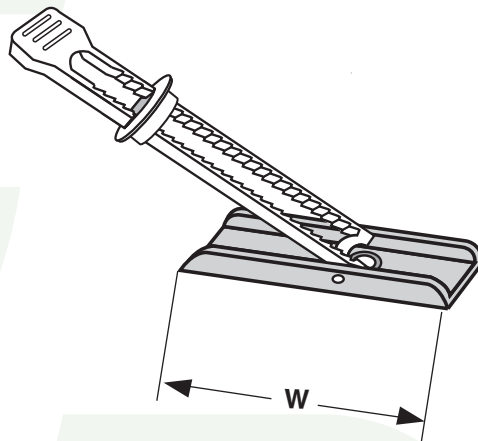


## ANCHORS

## KAP TOGGLE®



KAPTOGGLE®												
Part Number	Size	For use with screws of this size	W		Performance Test Results in various Materials							
			Toggle Length (Nominal)	Required Hole Size for Base Material	3/8" Drywall		1/2" Drywall		5/8" Drywall		Masonry Block	
					Pull-Through Load	Recommended Working Load	Pull-Through Load	Recommended Working Load	Pull-Through Load	Recommended Working Load	Pull-Through Load	Recommended Working Load
					Lbs.	Lbs.	Lbs.	Lbs.	Lbs.	Lbs.	Lbs.	Lbs.
348948	1/8	6-32	1.5"	13/32	68	23	111	37	124	41	307	102
348951	3/16	10-24	2"	13/32	68	23	115	38	133	44	452	150
348960	1/4	1/4-20	2"	13/32	96	32	121	40	123	41	1091	363

<b>Description</b>	This is a 3-piece anchor that consists of (1) a metal toggle bent at two 90° angles with an internally threaded hole at its center, (2) a serrated nylon strap that extends from both sides of the metal toggle, (3) a shoulder washer that slides down the strap and fits snug into the predrilled hole on the front side of the assembly. Upon installation, the extra length of the strap snaps off.
<b>Applications/Advantages</b>	May be used in hollow wall or masonry block. Can be re-used multiple times. Is easy for one person to install. Has superior pull-out load compared to other hollow wall anchors. Eliminates the need for extra long screws that are sometimes required with other hollow wall anchors.
<b>Material</b>	<b>Toggle:</b> Cold rolled steel <b>Strap And Shoulder Washer:</b> Nylon